

## POWER YOUR FUTURE

### Perkins Generator FD 250 P

## 1506A-E88TAG3

Prime Power: 200KW/250KVA  
Standby Power: 275KVA/220KW



 **Perkins®**  
**Diesel Power**



### GENERATING POWER SOLUTIONS

#### Increased availability for new operations

Reliable, robust and versatile generator.  
Ready to deliver power for a next job.

#### Reduced transport and installation costs

The compact and robust design with integrated transport features enables faster and safer transport and installation.

#### Premium resale value

Designed and built to last.

#### Increased uptime during operations

Once installed on the end-user-site, the generator will be ready to run: "peace of mind" operation.

#### Reduced service & maintenance costs

Longer service intervals.  
Quicker and more efficient service jobs.

#### SAFETY

- Operate safely in accordance with proper operation manual.
- To prevent trouble and accidents, perform daily and preventive maintenance checks without fail.

## Perkins Series

250 KVA



### PT. CIPTA DUA POWER FRANS DIESEL

Head Office : Jl. MT. Haryono No.19 Balikpapan  
No telp : (0542) 878021  
Branch Office : Jl. Wijaya Kusuma XII 15 A Samarinda  
No telp : (0542) 2089884  
Ware House : Komp. Pergudangan Kariangau Balikpapan  
Web : [www.fransdieselpower.com](http://www.fransdieselpower.com)

## Technical Data

Model		FD 250
Rated prime power	kva	200
Rated standard power	kva	250
Rated voltage line to line	V	400/230
Rated current	A	40
Maximun sound level	dB(@7m)	69

### Engine-DCEC Perkins

Model	1506A-E88TAG3	
Aspiration	Turbo Charged & AfterCooled	
Fuel system	A type	
No. cylinders	6 ; In-Line	
Displacement	Liquid	8.8
Bore*Stroke	mm	112 x 149
Compression ratio	16.1 :1	
Rated speed	r/min	1500
Rated net power(with fan)	Kw	48
Governor type	Ecm	
Start Motor	V	12

### Exhaust System

Exhaust gas flow	m³/min	
Exhaust gas temp	°C	
Max back pressure	kPa	10

### Aspiration System

Max inlet pressure	kPa	5
Combustion volume	m³/min	1.98
Air flow	m³/min	136

### Fuel System

100% load(Prime power)	L/h	55.5
75% load(Prime power)	L/h	41.5
50% load(Prime power)	L/h	31.2
Fuel tank capacity	L	460

### Lubrication System

Oil capacity	L	41
Oil consumption	g/kwh	6
Oil pressure	kPa	345
(continuous operation)		

### Cooling System

Coolant capacity	L	29.6
Thermostat operation range	°C	82-95
Max water temperature	°C	90

### Alternator

Model		STAMFORD
Phase	3	
Voltage	V	400/230
Wiring Type	3 Phase 4 wire, Y type	
Bearing	1	
Power factor	0.8	
Frequency	Hz	50/60
Prime power	KVA	60
Exciter Type	Brushless, self-excitation	
Voltage regulation	%	±0.5
Protection Grade	IP 23	
Insulation grade	H/H	
Altitude	m	≤1000

### Controller-DEEPSSEA

Model	DSE7320
-------	---------

#### Protective functions:

- Low oil pressure
- High water temperature
- High/low voltage
- High Engine Temperature and Overspeed.
- Voltage regulator frequency regulator
- Emergency stop
- Start failure



### Control Module Options



- Auto generator control module
- Control module with "Three Remote Control" functions
- ATS auto load transfer screen
- Synchronising control modules
- Power output cabinet

### Standard Features

- Engine(DCEC Perkins)
- Radiator 50°C max, fans are driven by belt
- 12V charge alternator
- Alternator: single bearing alternator IP23, insulation class H/H
- Standard auto control system
- One set of air filter, fuel filter, oil filter
- Main line circuit breaker/MCCB
- Base fuel tank
- One 12V batteries, rac and cable
- Exhaust system(Ripple flex exhaust pipe, exhaust siphon, flange, muffler)
- User manual

### Options

- Battery charge
  - Engine heater
  - Alternator heater
  - PMG
  - Water oil separator
  - Daily fuel tank
  - Remote control panel
  - Automatic transfer switch/ATS
  - Switch box
- Standard: ●                      Options: ○

### Warranty\*

#### Perkins Engine

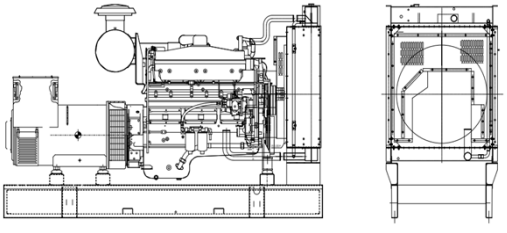
12 months from date of purchase and 2000 hours.

#### Generator

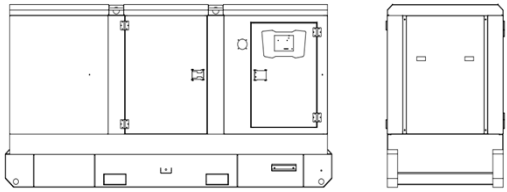
12 months from date of purchase or 2000 hours (whichever occurs first).



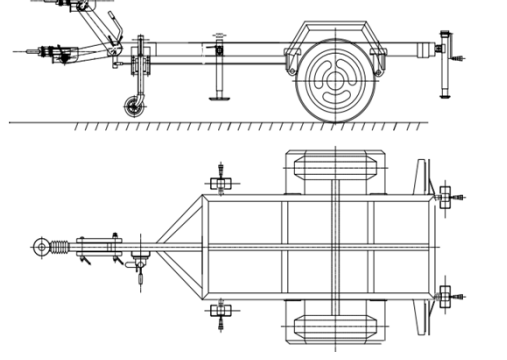
### Unit Dimensions(Basic unit)



Open Type		
L*W*H	mm	2750x1300x1700
Weight	kg	2130



Silent Type		
L*W*H	mm	3960x1360x2100
Weight	kg	2860



Trailer Option		
L*W*H	mm	(-)
Max loading weight	kg	(-)